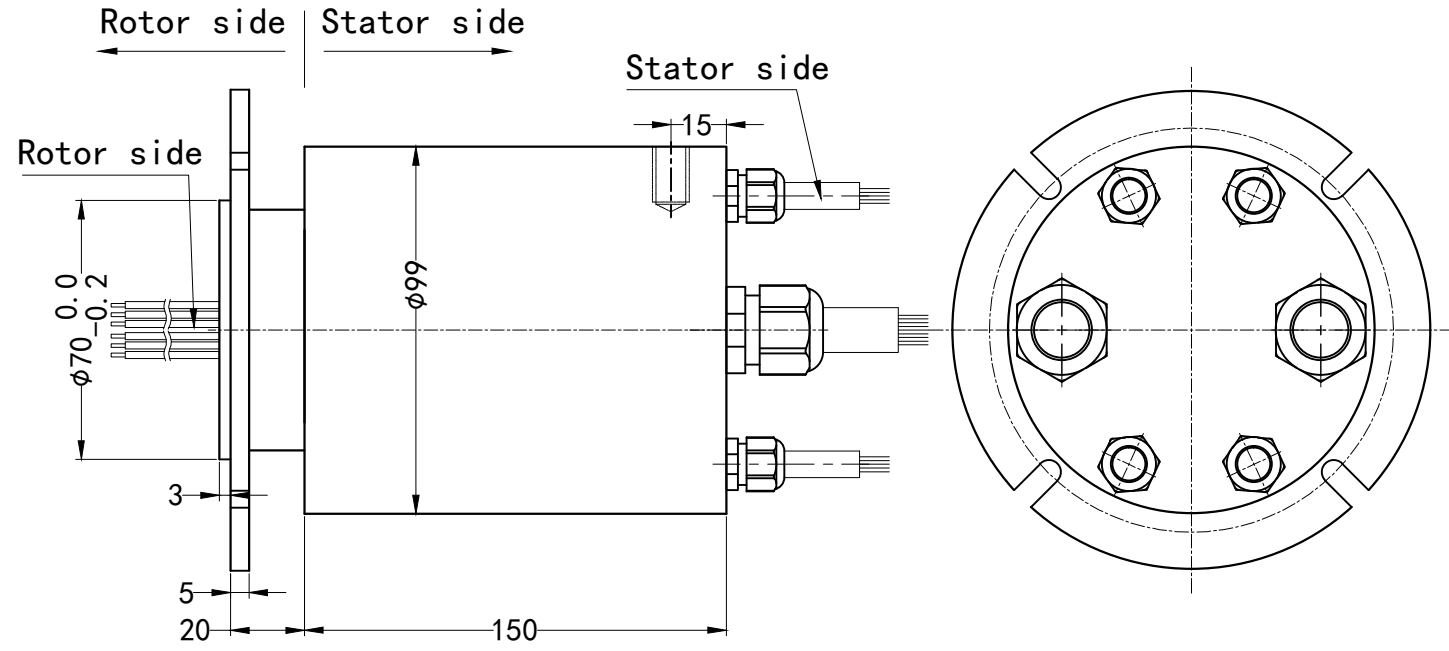
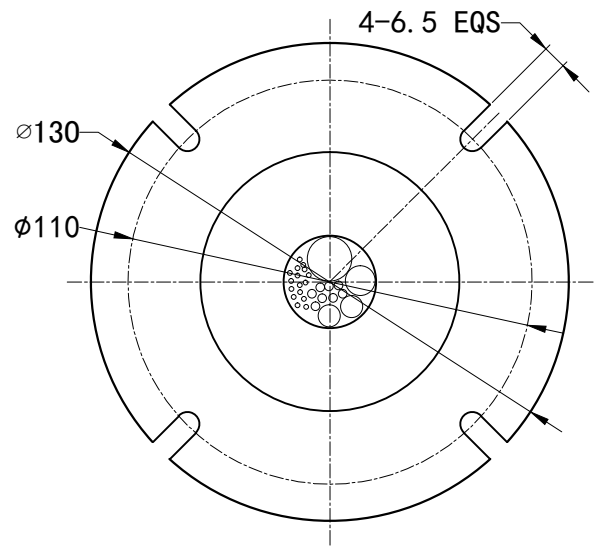


THIS DOCUMENT IS THE PROPERTY OF SENRING ELECTRONICS (SHENZHEN) LTD. (HEREAFTER "SENRING"). IT IS LENT AND IS TO BE RETURNED UPON REQUEST. THE CONTENTS OF THIS DOCUMENT ARE CONFIDENTIAL AND CONSTITUTE TRADE SECRETS PROPRIETARY TO SENRING. THIS DOCUMENT NOR ITS CONTENTS DOCUMENT NOR ITS CONTENTS SHALL BE DISCLOSED TO ANY UNAUTHORIZED PERSON COPIED OR PUBLISHED WITHOUT SENRING PRIOR WRITTEN CONSENT.
COPY RIGHT @ 2015 SENRING ELECTRONICS Co., Ltd(ShenZhen)

REV	LOC'T	DESCRIPTION OF CHANGE	CH'G BY	APP BY	DATE



- Circuits: 38 circuits
10A/1Circuits, 2A/16Circuits
2 channels 1000M Ethernet(18Circuits)
1 channel Canbus(3Circuits)
- Ring Material: Copper alloy plated precious metal
Ag ≥ 2um, Au ≥ 1um, Ra < 0.4
- Insulation Resistance: (ring-ring, ring-housing) : 500MΩ@500VDC
(Temperature 25 °C ± 5°C, Relative Humidity < 85%)
- Dielectric Strength: (ring-ring, ring-housing) : 500V@50Hz, 60s, no breakdown
(Temperature 25 ± 5, Relative Humidity < 85%)
- Electric Noise: static < 0.005Ω, dynamic < 0.01Ω (conditions: Temperature 25 ± 5, Relative Humidity < 85%, < 10mΩ@6VDC, 50mA, @5rpm)
- Contact Material: Precious Metal
- Rating Voltage: 380V
- Working Temperature: -40°C ~ + 80°C
- Working Speed: 0-50/rpm
- Wire Specifications: AWG17#, AWG22# teflon wire
CAT5e Wire, Canbus wire
- Wire Length: Rotor and Stator 3000 mm
- Housing Material: Aluminum Alloy
- IP Grade: IP68

38 Circuits * Slipring				TITLE	Outline	UNIT	mm
DESIGN		DATE	15.11.18	MODEL	F086-0110-16S -1C-2E-FS	SCALE	1:1
CHECKED		DATE					
PROJ.		REV.	A/0				