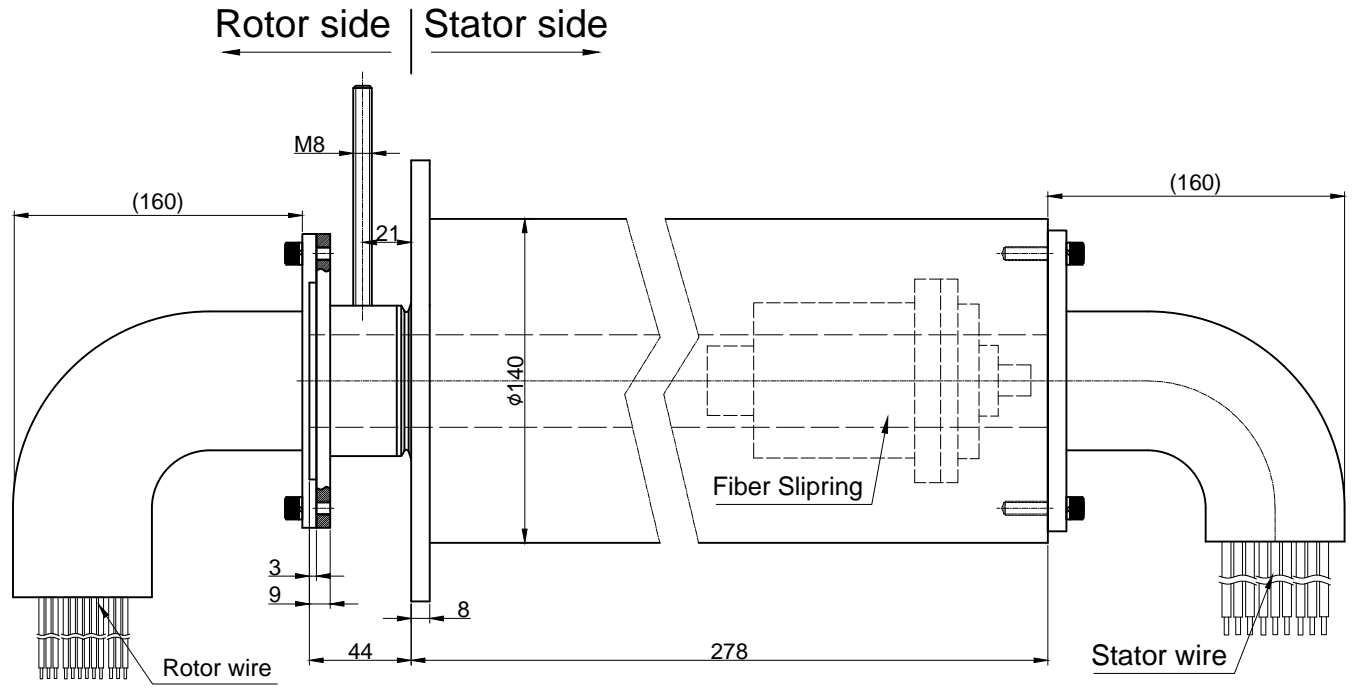
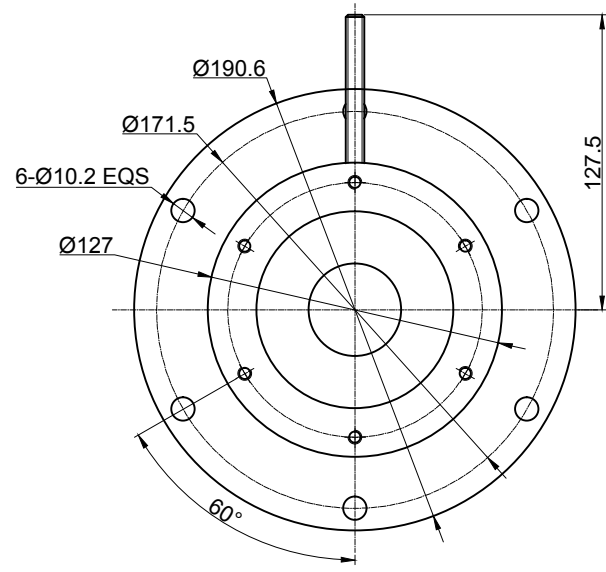



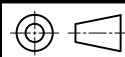
THIS DOCUMENT IS THE PROPERTY OF SENRING ELECTRONICS (SHENZHEN) LTD. (HEREAFTER "SENRING"). IT IS LENT AND IS TO BE RETURNED UPON REQUEST. THE CONTENTS OF THIS DOCUMENT ARE CONFIDENTIAL AND CONSTITUTE TRADE SECRETS PROPRIETARY TO SENRING. THIS DOCUMENT NOR ITS CONTENTS DOCUMENT NOR ITS CONTENTS SHALL BE DISCLOSED TO ANY UNAUTHORIZED PERSON COPIED OR PUBLISHED WITHOUT SENRING PRIOR WRITTEN CONSENT.  
COPY RIGHT @ 2015 SENRING ELECTRONICS Co., Ltd(ShenZhen)

REV	LOC'T	DESCRIPTION OF CHANGE	CH'G BY	APP BY	DATE



- Circuits: 4 circuits, 20A/3Circuits, 1A/1Circuits
- Ring Material: Copper alloy plated precious metal  
Ag 5um, Ra<0.4
- Insulation Resistance: (ring-ring, ring-housing) : 500MΩ@6000VDC  
(Temperature 25 °C±5°C, Relative Humidity<85%)
- Dielectric Strength: (ring-ring, ring-housing) : 6000V@50Hz,60s,no breakdown  
(Temperature 25 ±5 , Relative Humidity<85%)
- Electric Noise: static<0.005Ω, dynamic<0.01Ω (conditions: Temperature 25 ±5 , Relative Humidity<85%, <10mΩ@6VDC,50mA,@5rpm)
- Contact Material: Precious Metal
- Rating Voltage: 5000V/100V
- Working Temperature: -40°C ~ + 80°C
- Working Speed: 0-50/rpm
- Wire Specifications: AWG14# High voltage wire  
AWG22# teflon wire
- Wire Length: Rotor and Stator 300 mm
- Housing Material: Aluminum Alloy
- IP Grade: IP66

- Optical fiber:
- Wavelength: 1310-1550nm
  - Insertion loss: <2dB (Typical value l: <0.5dB)
  - Insertion loss deviation: <±0.7dB (Typical value: ±0.5dB)
  - Return loss: >40dB (Typical value: 45dB)
  - Max Speed: 50rpm
  - Traction: 10N (3mm Sheath)
  - Maximum light power: 23dBm
  - Working temperature: -40°C - 70°C
  - Storage temperature: -45°C - 80°C
  - Encapsulation type: Both ends tail fiber
  - Material: stainless steel
  - Optical fiber type: single mode fiber 3 mm sheath
  - Connector type: FC Connector

<i>3 Circuits 20A+1 Circuits 1A Slipping</i>				TITLE	Outline	UNIT	mm
DESIGN		DATE	15.10.31	MODEL	SNFO038-0320GY-01S-FS	SCALE	1:1
CHECKED		DATE		 <b>SenRing Electronics</b>			
PROJ.		REV.	A / 0				