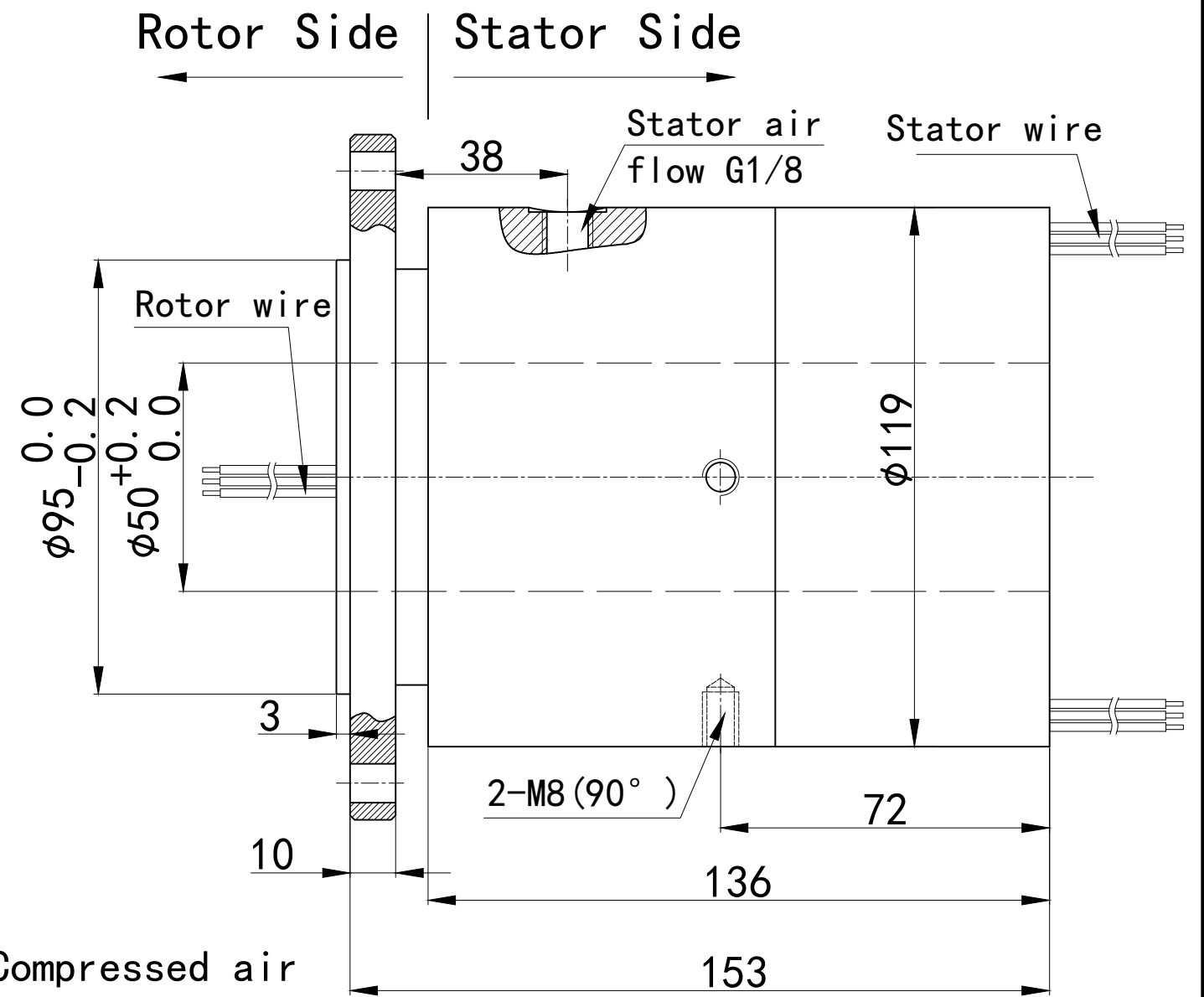
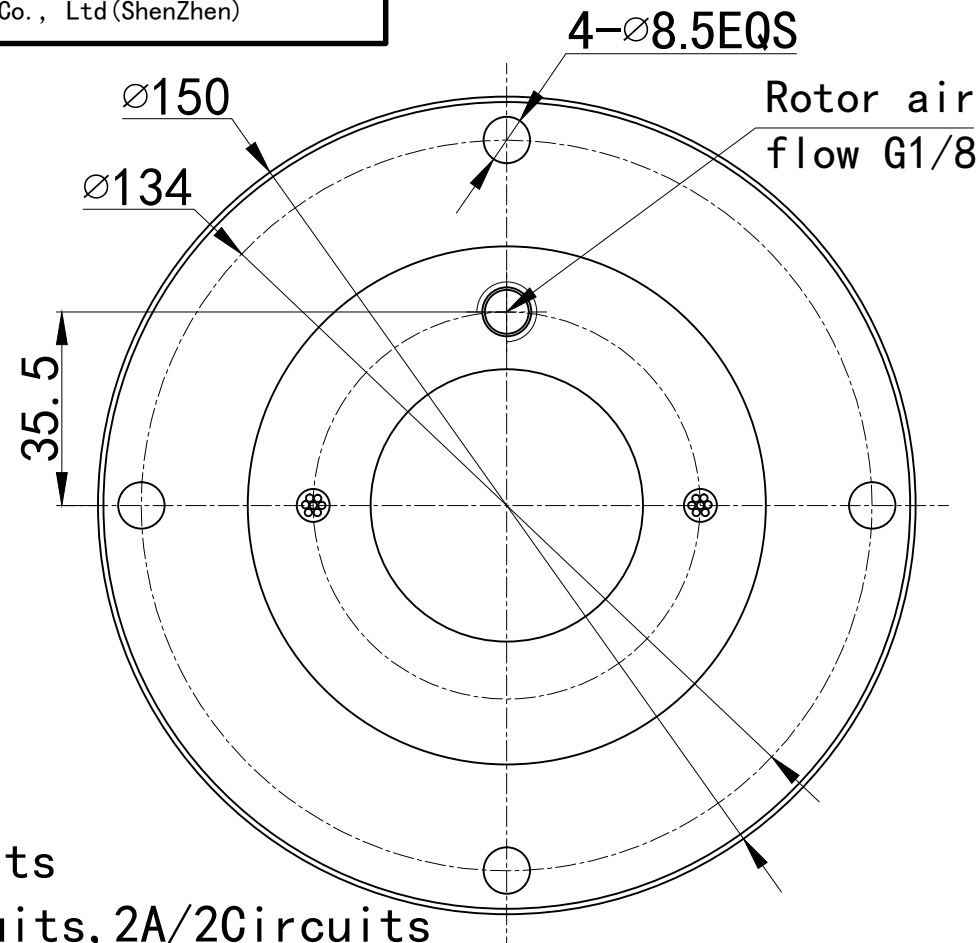


THIS DOCUMENT IS THE PROPERTY OF SENRING ELECTRONICS (SHENZHEN) LTD. (HEREAFTER "SENRING"). IT IS LENT AND IS TO BE RETURNED UPON REQUEST. THE CONTENTS OF THIS DOCUMENT ARE CONFIDENTIAL AND CONSTITUTE TRADE SECRETS PROPRIETARY TO SENRING. THIS DOCUMENT NOR ITS CONTENTS DOCUMENT NOR ITS CONTENTS SHALL BE DISCLOSED TO ANY UNAUTHORIZED PERSON COPIED OR PUBLISHED WITHOUT SENRING PRIOR WRITTEN CONSENT.  
COPY RIGHT @ 2015 SENRING ELECTRONICS Co., Ltd (ShenZhen)



REV	LOC'T	DESCRIPTION OF CHANGE	CH'G BY	APP BY	DATE



1. Circuits: 8 Circuits
2. Current: 5A/2Circuits, 2A/2Circuits signal/2Circuits
3. Rating Voltage: 380V
4. Dielectric Strength: 500V@50Hz 60s
5. Insulation Resistance: 500MΩ@500VDC
6. Electric Noise: <0.01Ω
7. Wire Specifications: AWG17# Teflon wire  
AWG22# Teflon wire
8. Wire length: Rotor and Stator 300 mm
9. Contacting Material: Precious Metal
10. Working Speed: 0--100rpm
11. IP Grade: IP51
12. Working Temperature: -30° C + 80° C
13. Housing Material: Aluminum Alloy

**Rotary joints**

1. The road: 1 Compressed air
2. Channel pressure: 1.0 Mpa, 8 mm windpipe
3. Quality interface: Compressed air
4. Working Speed: 0--100rpm
5. Working Temperature: -40° C + 80° C
6. Housing Material: steel, surface coating

8 Circuits * Slipring				TITLE	Outline	UNIT	mm
DESIGN		DATE	15.5.4	MODEL	SNH050-0205-06S-1L	SCALE	1:1
CHECKED		DATE		 <b>SenRing Electronics</b>			
PROJ.		REV.	A/0				